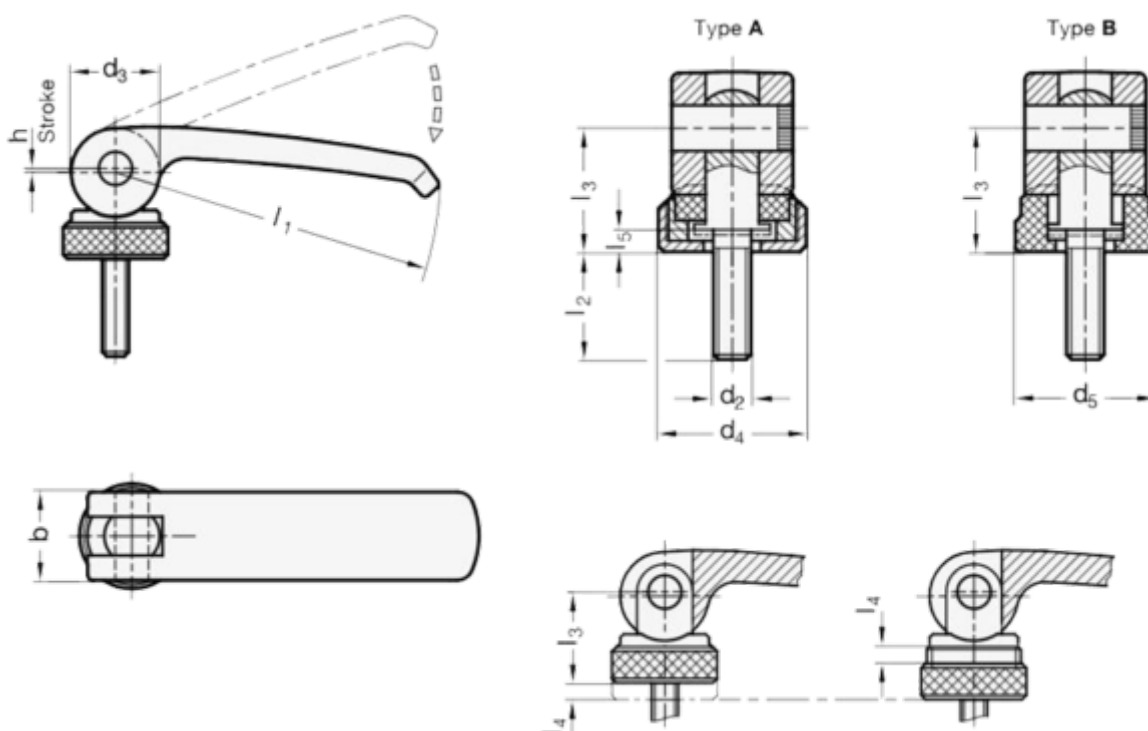


Article number: 20927101M1035AR

Description: E+G Clamping lever GN 927-101-M10-35-A-R
in red, male thread

Measures



$b = 25$
 $d_2 = M10$
 $d_4 = 30$
 $d_5 =$
 $l_1 = 101$
 $l_2 = 35$